



Smart solutions.  
Strong relationships.

# LV MOTORS

Range & Features at a glance



*We put all our energy  
into saving yours!*





*Crompton Greaves (CG) is part of the US\$ 4 bn Avantha Group, a conglomerate with an impressive global footprint. Since its inception CG has been synonymous with electricity.*

*The company has retained its leadership position in the management and application of electrical energy.*

*Today, Crompton Greaves is of the largest private sector enterprise. It has diversified extensively and is engaged in designing, manufacturing and marketing technologically advanced electrical products and services related to power generation, transmission and distribution, besides executing turnkey projects. The company is customer-centric in its focus and is the single largest source for a wide variety of electrical equipments and products.*

*CG employs more than 10000 people in 21 countries. With several international acquisitions, Crompton Greaves is fast emerging as a first choice global supplier for high quality equipment.*



**AVANTHA**  
GROUP COMPANY

## MOTORS

## IEC FRAME



**Apex Series**

### Energy Efficient Motors

#### Apex Series IE2 / IE3 Motors

an efficient solution ...

	Aluminium Frames	Cast Iron Frames
Output Range	0.37 kW to 7.50 kW	0.75 kW to 315 kW
Frame	IEC 71 to 132	IEC 80 to IEC 355
Pole	2 / 4 / 6	2 / 4 / 6
Mountings	Foot/Flange/Face	Foot/Flange
Voltage	415 V, Other on request	415 V, Other on request

Performance conforming to IEC60034-30:2008



### ND Series

#### Power Behind The Drive

Output Range	0.37 kW to 500 kW
Frame	IEC 80 to 450
Pole	2 / 4 / 6 / 8 / 10 other on request
Mountings	Foot / Flange
Voltage	415 V, Other on request
Construction	Squirrel cage

Motor for every application



**eLite**

### eLite Series

Light in weight, Strong in performance

#### Aluminium Motors

Output Range	0.18 kW to 7.50 kW
Frame	IEC 63 to 132
Pole	2 / 4 / 6 / 8 other on request
Mountings	Foot / Flange / Face
Voltage	415 V, Other on request

Light in weight, low noise & Vibration levels



### NDW Series

#### Power Behind The Drive

#### Slip Ring Motors

Output Range	0.37 kW to 500 kW
Frame	IEC 112 to 450
Pole	4 / 6 / 8 other on request
Mountings	Foot / Flange
Voltage	415 V, Other on request

## MOTORS

## IEC FRAME



### SPDP Slipring Motors

Screen Protected Drip Proof Slip

#### Ring Motors

Output Range	7.50 kW to 350 kW
Frame	IEC 160 to 400
Pole	4 / 6 / 8 / 10 other on request
Mountings	Foot
Voltage	415 V, Other on request

Strip wound rotor for 280 & above

### PRABAL Series

Strong & Sturdy...

#### Crane Duty Motors

##### Squirrel Cage

Output Range	0.37 kW to 500 kW
Frame	IEC 80 to 450
Pole	4 / 6 / 8 / 10 other on request
Mountings	Foot / Flange
Voltage	415 V, Other on request

##### Slip Ring

Output Range	0.37 kW to 500 kW
Frame	IEC 112 to 450
Pole	4 / 6 / 8 / 10 other on request
Mountings	Foot / Flange / Face
Voltage	415 V, Other on request



**Agnita**  
Series



### Hazardous Area Motors

Flame Proof motors

#### Cast Iron frames

Output Range	0.37 kW to 325 kW
Frame	IEC 80 to 355
Pole	2 / 4 / 6 / 8
Mountings	Foot / Flange
Voltage	415 V Others on request
Gas Group	I, IIA, IIB. (IIC on request)
Temp. Class	T4

Certified by PESO/DGMS    
BASEEFA ATEX, IECEx.



### Hazardous Area Motors

Type 'e' & 'n' motors

#### Cast Iron frames

Output Range	0.37 kW to kW
Frame	IEC 80 to 400
Pole	2 / 4 / 6 / 8
Mountings	Foot / Flange
Voltage	415 V Others on request
Gas Group	IIA IIB, IIC
Temp. Class	T3

Certified by PESO   
IECEx



Flameproof slip ring motors are also available on request.

## MOTORS

## IEC FRAME



**Kibosh**

### Brake Motor

#### Aluminium frames

Output Range 0.55 to 7.5 kw  
 Frame IEC 80 to 132  
 Pole 4/6/8  
 Voltage 415 V

#### Cast Iron frames

Output Range 0.55 to 30 kw  
 Frame IEC 80 to 200  
 Pole 4/6/8  
 Voltage 415 V

High starting torque with low starting current



**USTAD**  
 Robust and Reliable...

### AC Generators

#### Ustad Series

Robust and reliable...

#### Slip Ring Alternators

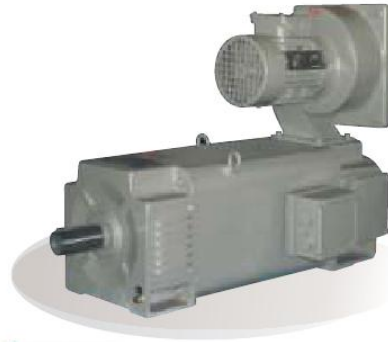
##### Single Phase

Output Range 5 kVA to 25 kVA  
 Frame IEC 132 to 200  
 Voltage 240 V

##### Three Phase

Output Range 5 kVA to 82.5 kVA  
 Frame IEC 132 to 200  
 Voltage 415 V

1500 rpm / 0.8 PF (lag), Voltage Regulation : +/- 5 %



**AJASA**

### DC Motors

#### Ajasa Series

Strong and sturdy for various application

#### Laminated Yoke motors

Output Range 2.20 kW to 550 kW at base speed of 1500 RPM  
 Frame IEC 100 to 315  
 Mountings Foot others on request  
 Voltage Armature 440 V, Field 220 V  
 Light in weight, low noise & Vibration levels, Compact

#### Mill Duty motors

Output Range 7.5 kW to 150 kW  
 Frame 802 to 816 as per IPSS / AISE  
 Mountings Foot  
 Voltage As per request  
 Solid Yoke motors are also available on request



### AC Generators

#### Brushless Generators

Reliable Power Solution

##### Single Phase

Output Range 5 kVA to 50 kVA  
 Frame IEC 132 to 200  
 Voltage 240 V

##### Three Phase

Output Range 5 kVA to 1010 kVA  
 Frame IEC 132 to 400  
 Voltage 415 V

1500 rpm / 0.8 PF (lag), Voltage Regulation : +/- 1 %

## MOTORS

## NEMA FRAME



### NEMA EPACT

#### Aluminium frames

Output Range 1hp to 10hp  
Frame 143 T to 215 T  
Pole 2/4/6

#### Cast Iron frames

Output Range 1hp to 200hp  
Frame 143 T - 447 T  
Pole 2/4/6  
Mountings Foot/Flange/Face  
Voltage 208- 230/460 V or 575 V 60 Hz  
As per NEMA design A, B & C

Certified by CSA 

Aluminium Frame motors are with UL approval.



### Oil Well Pump Motors

#### Cast Iron frames

Output Range 3hp to 150hp  
Frame 143 T - 447 T  
Pole 2/4/6  
Mountings Foot/Flange  
Voltage 208- 230/460 V 60 Hz

As per NEMA design D

Product approval:-



Note : MEPS motors are also available on request.



**NEMA  
Premium**

### NEMA Premium

#### Aluminium Frame

Output Range 1hp to 10hp  
Frame 143 T to 215 T  
Pole 2/4/6

#### Cast Iron frames

Output Range 1hp to 30hp  
Frame 143 T - 284 T  
Pole 2/4/6  
Mountings Foot/Flange/Face  
Voltage 208- 230/460 V or 575 V 60 Hz  
As per NEMA design A, B



### DC Motors

#### Laminated Yoke Motors

Output Range 25hp to 700hp  
Frame 2510 ATZ - 4413 ATZ  
Mountings Foot/foot cum flang  
Voltage Armature 500 V, field 300 V



For more information :

**Visit us at : [www.cgglobal.com](http://www.cgglobal.com)**